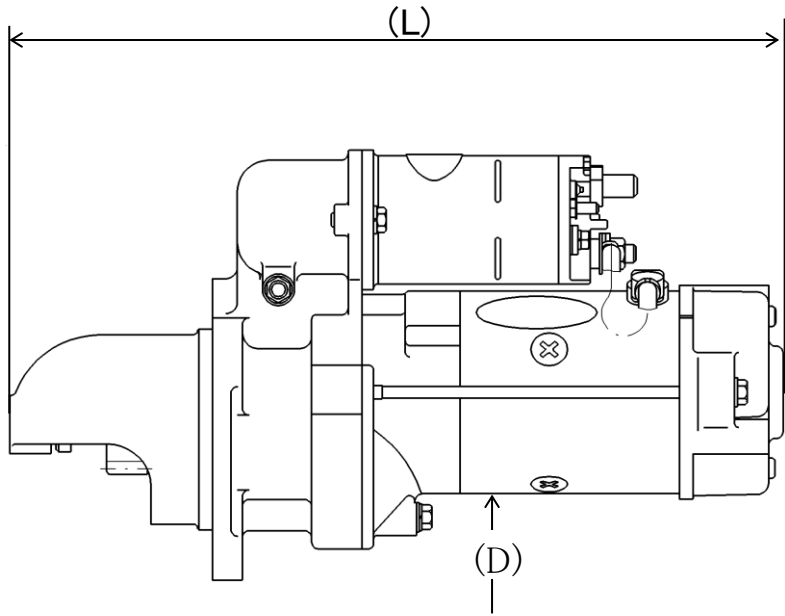
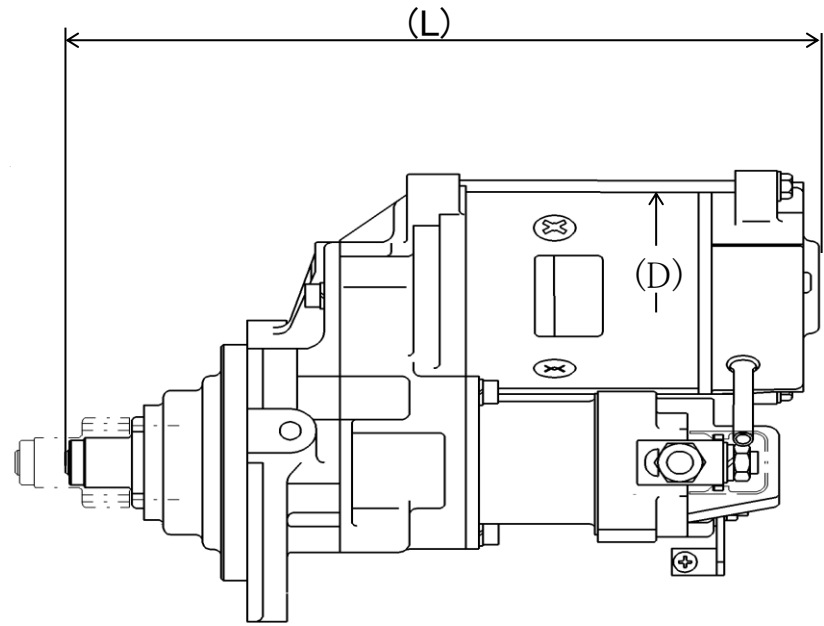


STARTER

NIKKO



With NOSE type



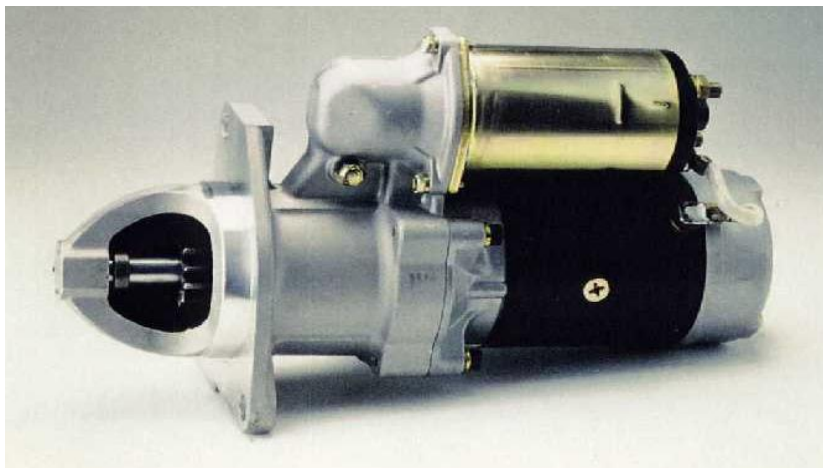
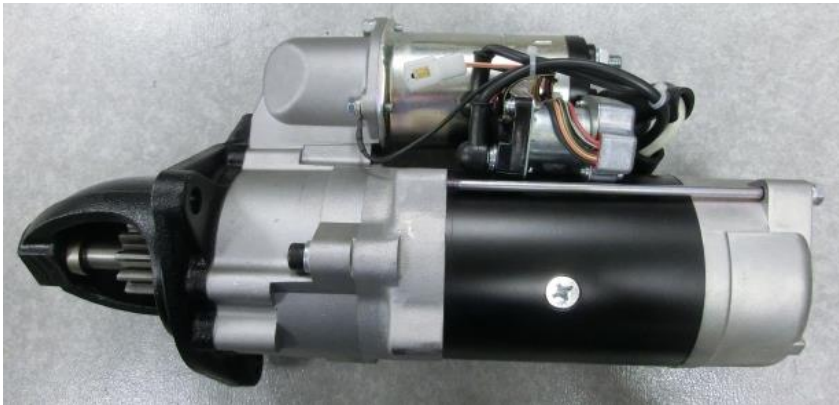
NOSELESS type

STARTER Specification list

Type	Rated Voltage (V)	Rated Output (kw)											Major Specification					Full Length L (mm)	Weight (kg)	YOKE Outer Diameter (D) (mm)	Nose		Deceleration system			
		1	2	3	4	5	6	7	8	9	10	11	Drip-Proof	Water& Oil-Proof (Sealed)	Oil Proof	Corrosion Proof	Two-Wire system				W/Nose	Noseless				
A	24			●											○	○	○	○		333	6.8	φ 78	○		Internal Gear	
B	24			●											○			○	○	274	6.6		φ 83		○	External Gear
				●											○			○		285	7.8				○	External Gear
C	12		●												○					306	8.0	φ 83		○	Planetary Gear	
	24				●										○					306	8.0			○		
D	12			●											○		○			338	8.4	φ 90	○		Internal Gear	
	24			●	●										○	○	○	○		338	8.4			○		
E	24				●										○	○	○	○		288	8.5				○	External Gear
F	24							●							○					315	9.0	φ 95		○	Planetary Gear	
G	24					●	●								○	○	○	○	○	413	15.5	φ 100	○		Internal Gear	
H	24					●	●								○	○		○	○	403	16.0	φ 114	○		Internal Gear	
I	24							●	●						○	○		○	○	425	19.3			○		

STARTER

NIKKO



With NOSE type

NOSELESS type

STARTER for Diesel Engine Series Table

